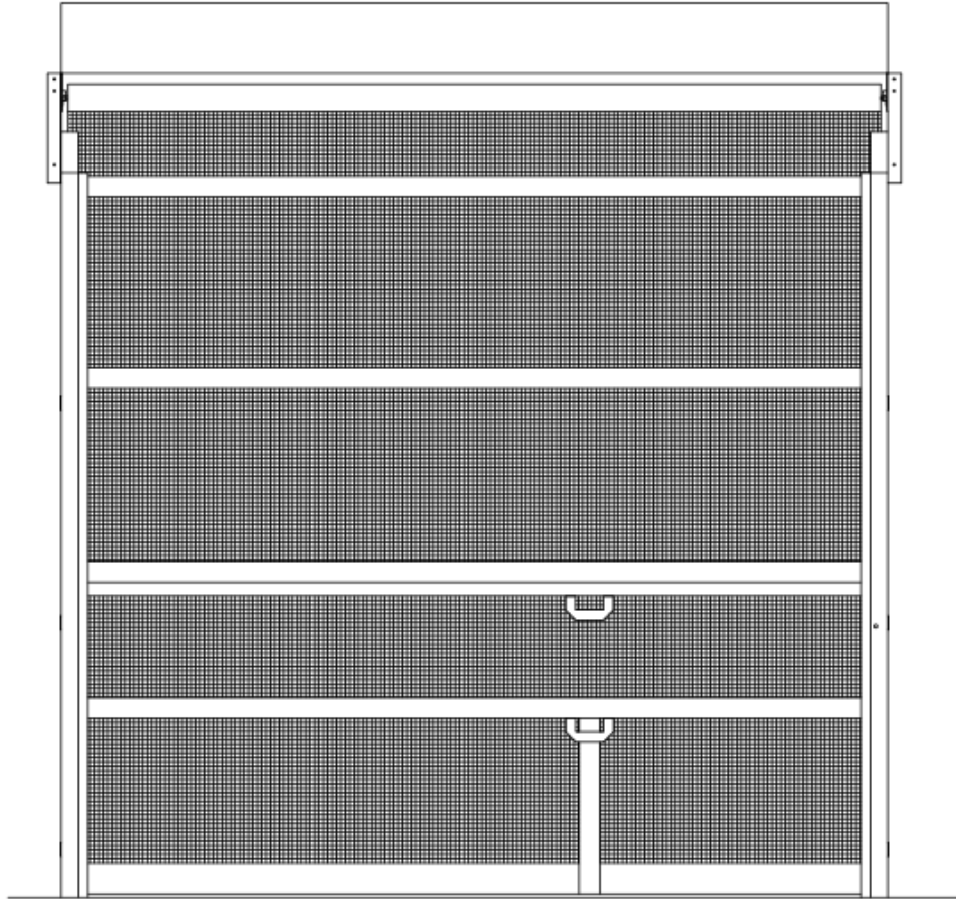




GATEWAY
 MANUAL ROLL-UP BUG BARRIER
 E-TRACK MOUNT



	WIDTH	HEIGHT
Out to Out Finished Size		

*** Caution: Gateway Industrial Products will not be responsible for springs wound counterclockwise or going past the maximum of 25 complete turns with out consulting Gateway for approval.**

**INSTALLATION INSTRUCTIONS
MANUAL ROLL UP BUG BARRIER – E-TRACK MOUNT**

I. Receiving and Handling

1. Upon receipt of the Gateway Bug Barrier®, inspect the contents for shipping damage or missing hardware. If necessary initiate claim(s) with the freight carrier for any damage.

Important Note:

Any damage to the crate or packaging material should be noted on the shipping paperwork. Exterior damage may indicate concealed damage. This notation will preserve your rights should a freight claim be necessary.

II. Hardware Mounting Instructions

1. Your E-track door is manufactured so the OTO equals the width of the door, the OTO should be that the back of the Gateway track is flush with the back of the existing track. 14 gauge galvanized flat stock steel projection is going to be flat against the back of the rolling steel door (**See Fig. 1**).
2. Mount the Idler end track on the right, the spring end track on the left. Both should be level and flush with the floor.

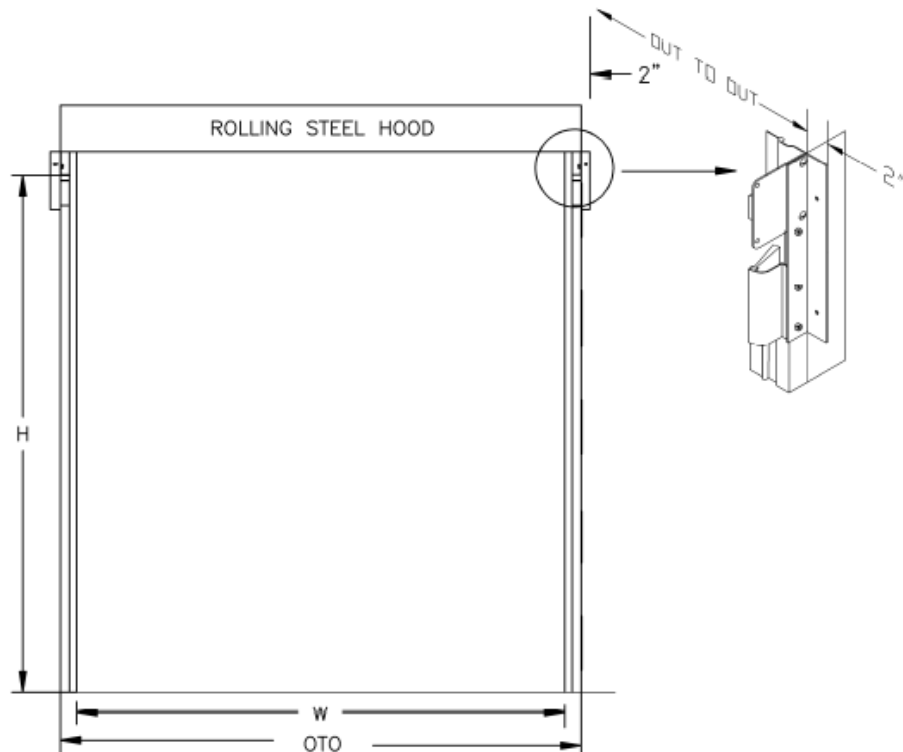


FIGURE 1

3. **Important Note:** In order for the door to operate correctly, the track assemblies must be diametrically opposed and level and parallel to each other.
4. The track comes with the mounting tabs loosely fastened to the tracks. Rotate them out 90 degrees. The brackets also move up and down along the height of the track, line them up with existing rolling steel door track bolts. Remove the bolt and use the bolts provided to affix bracket to rolling steel track.
5. Once the tracks are assembled, attach the top header angle to the top of the tracks connecting one side of track to the other. The brush seal will face towards the rolling steel door and act as a top seal.
6. The Gateway Logo will face the building exterior and the curtain should hang over the roll outside the building.

III. Insect Screen Roll Mounting Instructions

7. Ensure that the insect screen is wrapped tightly onto the roll tube.
8. Slide the flat retaining plate from the end of the spring. Using a crescent wrench, wind the tab on the spring end of the roll tube as shown in (Fig 2).

Important Note:

Gateway Industrial Products will not be responsible for springs wound counterclockwise or going past the maximum of 25 complete turns with out consulting Gateway for approval.

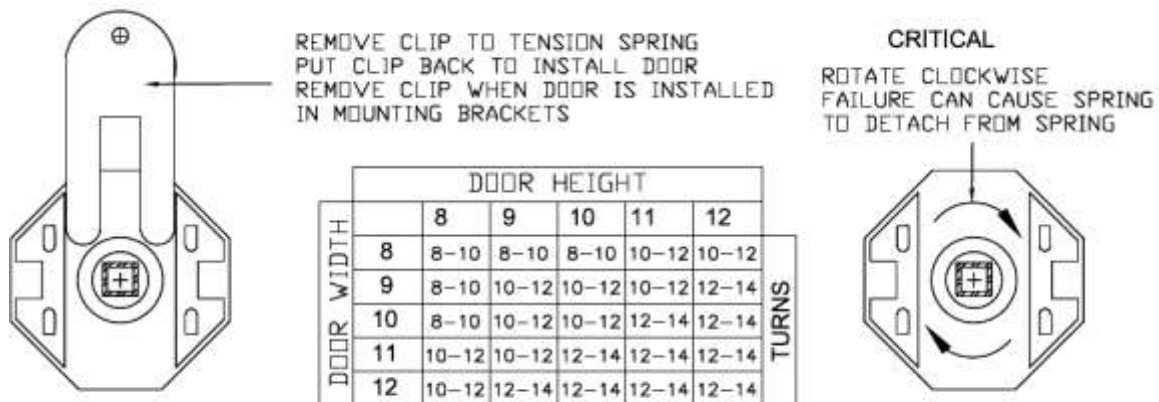


FIGURE 2

9. After winding is complete, replace the flat retaining plate, this will lock the spring in place.
10. Pick up the end of the roll tube in your right hand. Have a helper pick up the other end of the roll tube.

11. Slip the idler notched end into the bracket ensuring that the slot of the notch matches with the bracket and completely seats. Unroll approximately 1.5 feet of screen to hang inside the track, this will reduce the roll tube diameter and aid in installation.

12. Install the tensioned spring end into the bracket on the left side of the door.
REMOVE FLAT RETAINING PLATE.

13. Roll up the extra 1.5 feet of panel so the foam pad on the bottom edge is up against the lintel. Mount the lock down bracket on the right side jamb so that when the pin is slid through the grommet, the foam pad at the bottom of the curtain is against the floor.

14. Using the handles provided, pull the curtain down until the foam pad is on the floor. Line up the grommet in the curtain with the lock down hole on the right side jamb (as viewed from building interior) and install the lock down pin. Do this 2 or 3 times to ensure consistency. If the door is properly tensioned the door should lift to position with a little assistance.

15. With the screen down and locked in place, install the 2.5-inch sheet metal screws through the holes of both mounting plates. **NOTE: FAILURE TO SECURE ROLL TUBE COULD CAUSE IN INJURY.**

16. To raise the curtain, hold one of the handles with your left hand and remove the lock down pin with your right hand. Allow the curtain to go up slowly until the foam pad at the bottom of the screen is up against the lintel.

See Figure 4 for an exploded view of the bug barrier configuration and parts breakdown.

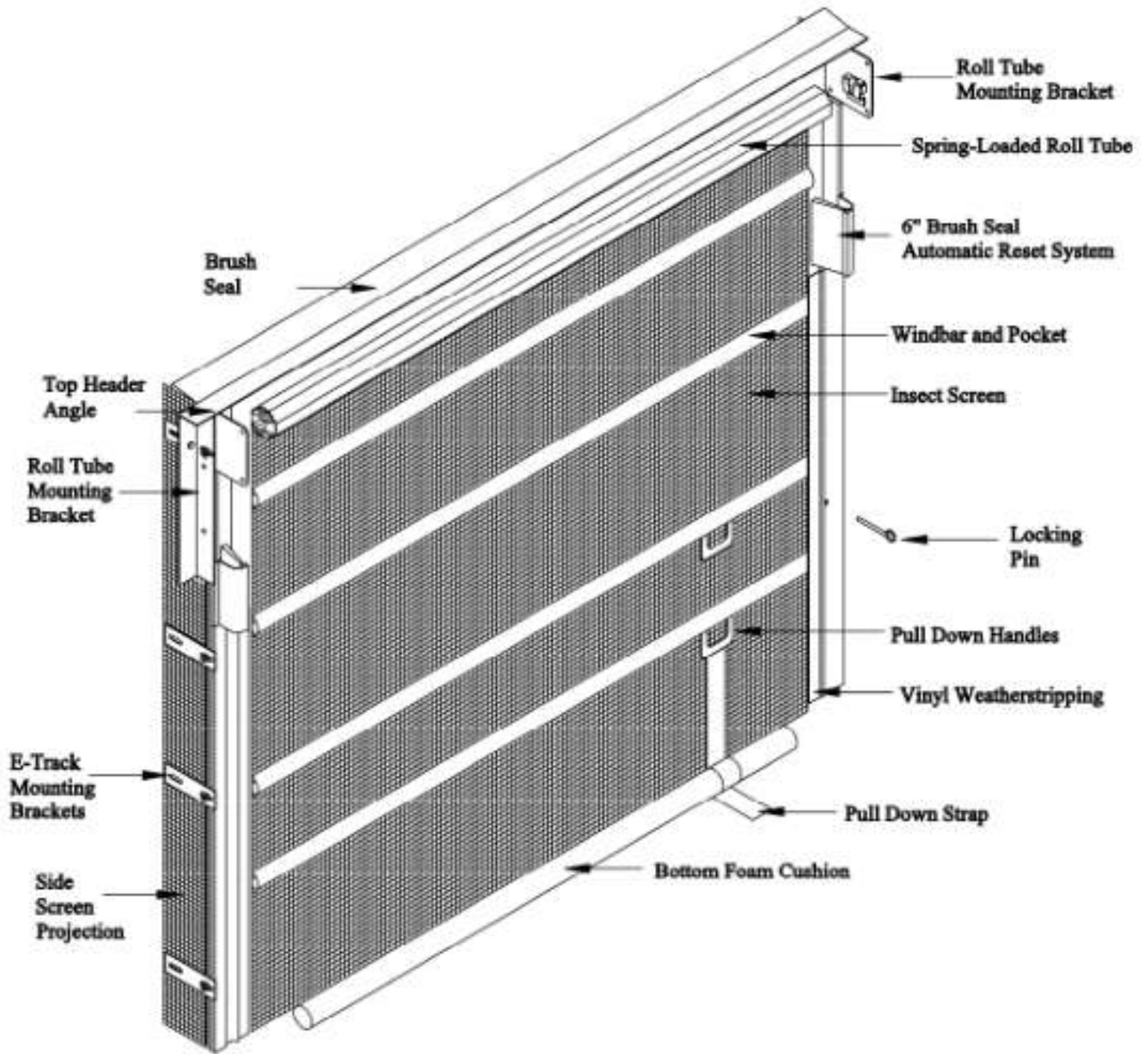


FIGURE 4